



Film Capacitors – AC Capacitors

Lighting Capacitor

Series/Type:	Lighting Capacitor
Ordering code:	B32327A*
Date:	2018-08-16
Version:	2

© EPCOS AG 2018. Reproduction, publication and dissemination of this publication, enclosures hereto and the information contained therein without EPCOS' prior express consent is prohibited.

EPCOS AG is a TDK Group Company.

Construction

- Metallized polypropylene film
- Plastic can with plastic top
- Polyurethane resin
- Dry type

Features

- Self-healing properties
- Low dissipation factor
- High insulation resistance
- Inbuilt discharge resistor

Typical applications

- For general sine wave applications, mainly as lighting capacitor

Terminals






- Flexible Lead wires sleeve

Mounting parts(optional)

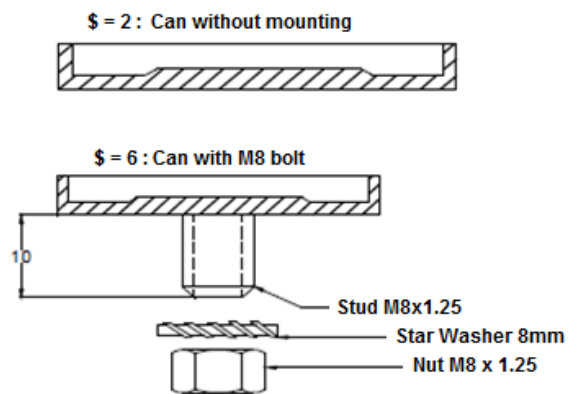
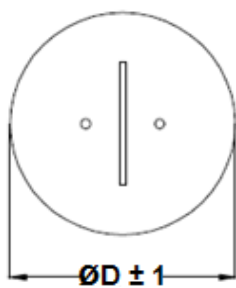
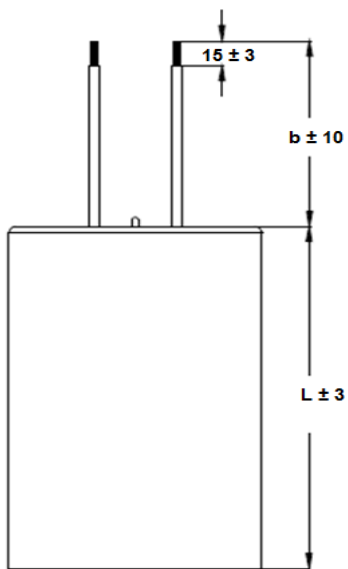
- Threaded stud at bottom of can (M8, max. torque = 5 Nm)
- Plain can



Technical data and specifications	
Reference standards	IEC 61048 without IEC 61049 IS 1569
Capacitor definition as per IEC/ EN61048	Type A
Rated capacitance C_R	As per dimension table
Tolerance	±5%, other tolerances upon request
Rated voltage V_R	250 VAC
Rated frequency f_R	50/60 Hz
Maximum ratings	
Maximum permissible voltage V_{max}	1.1 V_R (V_R = rated voltage)
Maximum permissible current I_{max}	1.3 I_R (I_R = rated current)

Test data																
AC test voltage terminal to terminal V_{TT}	2 V_R , 2 s (routine test) 2 V_R , 60 s (type test)															
Dissipation factor $\tan \delta$ at +20 °C	$\leq 10.0 \times 10^{-3}$ (1KHz)															
Maximum rate of voltage rise dv/dt_{max}	10 V/ μ s															
Climatic data																
Climatic category	25/085/21															
Lower category T_{min}	-25 °C															
Upper category T_{max}	+85 °C															
Damp heat test t_{test}	21 days															
Mechanical and thermal properties																
Plastic can and top disk material	Plastic as per IS 1569															
Compatibility to RoHS																
Compliance to directive 2011/65/EU																
Marking	<div style="border: 1px solid black; padding: 5px; width: fit-content;">  <table style="width: 100%; border-collapse: collapse;"> <tr> <td style="width: 33%;">C_x μF</td> <td style="width: 33%;"></td> <td style="width: 33%;">V_{rms} VAC</td> </tr> <tr> <td>Tx %</td> <td></td> <td>50/60Hz</td> </tr> <tr> <td>25/085/21</td> <td>D</td> <td>B32327A</td> </tr> <tr> <td>MKP 'SH'</td> <td></td> <td>Type 'A'</td> </tr> <tr> <td>IS 1569</td> <td>PO Number</td> <td>WW.YY</td> </tr> </table> </div> <p>Where, C_x – Capacitance Value V_{RMS}- rated AC voltage Tx% - Tolerance on capacitance WW.YY – Week code PO Number – Internal traceability number</p>	C_x μ F		V_{rms} VAC	Tx %		50/60Hz	25/085/21	D	B32327A	MKP 'SH'		Type 'A'	IS 1569	PO Number	WW.YY
C_x μ F		V_{rms} VAC														
Tx %		50/60Hz														
25/085/21	D	B32327A														
MKP 'SH'		Type 'A'														
IS 1569	PO Number	WW.YY														

Dimensional drawing



Ordering codes and packing units

Voltage V_R V AC	Capacitance μF	Dimensions $\text{ØD} \times \text{L}$ (mm)	Ordering code
250	2	25 x 62	B32327A1205-+0\$*
	3	25 x 62	B32327A1305-+0\$*
	4	25 x 62	B32327A1405-+0\$*
	5	30 x 62	B32327A1505-+0\$*
	6	30 x 62	B32327A1605-+0\$*
	7	30 x 62	B32327A1705-+0\$*
	8	30 x 62	B32327A1805-+0\$*
	10	35 x 62	B32327A1106-+0\$*
	12	35 x 62	B32327A1126-+0\$*
	15	35 x 73	B32327A1156-+0\$*
	16	35 x 73	B32327A1166-+0\$*
	18	35 x 73	B32327A1186-+0\$*
	20	40 x 73	B32327A1206-+0\$*
	25	40 x 73	B32327A1256-+0\$*
	30	40 x 98	B32327A1306-+0\$*
	33	40 x 98	B32327A1336-+0\$*
	40	40 x 98	B32327A1406-+0\$*
	42	45 x 98	B32327A1426-+0\$*
45	45 x 98	B32327A1456-+0\$*	

Notes for ordering code

+: Tolerance on capacitance

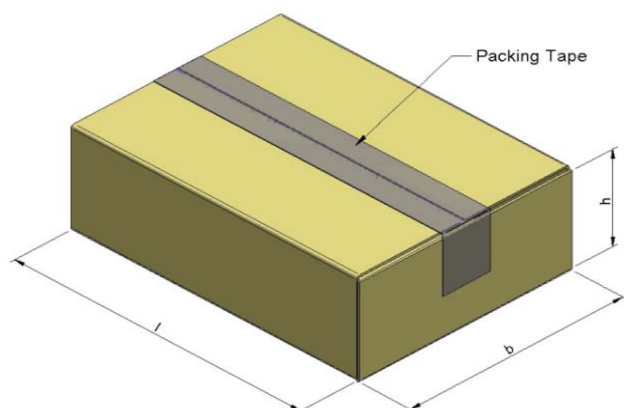
J: $\pm 5\%$

\$: Construction

2: Plastic can without mounting.

6: Plastic can with M8 stud.

*: Wire length (dimension 'b' in drawing) up on request

Packing specification


Dimension D x L (mm)	Unit carton				Master carton			
	l ±10	b ±10	h ±10	Qty	l ±10	b ±10	h ±10	Qty
35 x 95	455	230	130	50	490	470	270	200
40 x 95	455	230	130	50	490	470	270	200
45 x 95	250	250	145	25	530	270	300	100
50 x 95	280	280	170	25	580	290	360	100

Cautions and warnings

⚠ Please read “Applications warning, installation and maintenance instructions” and the “General Safety Data Sheet for Power Capacitors” issued by ZVEI, which are available on the internet at www.epcos.com/ac_capacitors, to ensure optimum performance and to prevent products from failing, and in worst case, bursting and fire. Information given in the data sheet reflects typical specifications. You are kindly requested to approve our product specifications or request our approval for our specification before ordering.

Display of ordering codes for EPCOS products

The ordering code for one and the same EPCOS product can be represented differently in data sheets, data books, other publications, on the EPCOS website, or in order-related documents such as shipping notes, order confirmations and product labels. **The varying representations of the ordering codes are due to different processes employed and do not affect the specifications of the respective products.** Detailed information can be found on the Internet under www.epcos.com/orderingcodes

Important notes

The following applies to all products named in this publication:

1. Some parts of this publication contain **statements about the suitability of our products for certain areas of application**. These statements are based on our knowledge of typical requirements that are often placed on our products in the areas of application concerned. We nevertheless expressly point out **that such statements cannot be regarded as binding statements about the suitability of our products for a particular customer application**. As a rule, EPCOS is either unfamiliar with individual customer applications or less familiar with them than the customers themselves. For these reasons, it is always ultimately incumbent on the customer to check and decide whether an EPCOS product with the properties described in the product specification is suitable for use in a particular customer application.
2. We also point out that **in individual cases, a malfunction of electronic components or failure before the end of their usual service life cannot be completely ruled out in the current state of the art, even if they are operated as specified**. In customer applications requiring a very high level of operational safety and especially in customer applications in which the malfunction or failure of an electronic component could endanger human life or health (e.g. in accident prevention or life-saving systems), it must therefore be ensured by means of suitable design of the customer application or other action taken by the customer (e.g. installation of protective circuitry or redundancy) that no injury or damage is sustained by third parties in the event of malfunction or failure of an electronic component.
3. **The warnings, cautions and product-specific notes must be observed.**
4. In order to satisfy certain technical requirements, **some of the products described in this publication may contain substances subject to restrictions in certain jurisdictions (e.g. because they are classed as hazardous)**. Useful information on this will be found in our Material Data Sheets on the Internet (www.epcos.com/material). Should you have any more detailed questions, please contact our sales offices.
5. We constantly strive to improve our products. Consequently, **the products described in this publication may change from time to time**. The same is true of the corresponding product specifications. Please check therefore to what extent product descriptions and specifications contained in this publication are still applicable before or when you place an order. We also **reserve the right to discontinue production and delivery of products**. Consequently, we cannot guarantee that all products named in this publication will always be available. The aforementioned does not apply in the case of individual agreements deviating from the foregoing for customer-specific products.
6. Unless otherwise agreed in individual contracts, **all orders are subject to the current version of the "General Terms of Delivery for Products and Services in the Electrical Industry" published by the German Electrical and Electronics Industry Association (ZVEI)**.
7. **Our manufacturing sites serving the automotive business apply the IATF 16949 standard**. The IATF certifications confirm our compliance with requirements regarding the quality management system in the automotive industry. Referring to customer requirements and customer specific requirements ("CSR") TDK always has and will continue to have the policy of respecting individual agreements. Even if IATF 16949 may appear to support the acceptance of unilateral requirements, we hereby like to emphasize that **only requirements mutually agreed upon can and will be implemented in our Quality Management System**. For clarification purposes we like to point out that obligations from IATF 16949 shall only become legally binding if individually agreed upon.

Important notes

8. The trade names EPCOS, CeraCharge, CeraDiode, CeraLink, CeraPad, CeraPlas, CSMP, CTVS, DeltaCap, DigiSiMic, ExoCore, FilterCap, FormFit, LeaXield, MiniBlue, MiniCell, MKD, MKK, MotorCap, PCC, PhaseCap, PhaseCube, PhaseMod, PhiCap, PowerHap, PQSine, PQvar, SIFERRIT, SIFI, SIKOREL, SilverCap, SIMDAD, SiMic, SIMID, SineFormer, SIOV, ThermoFuse, WindCap are **trademarks registered or pending** in Europe and in other countries. Further information will be found on the Internet at www.epcos.com/trademarks.

Release 2018-06